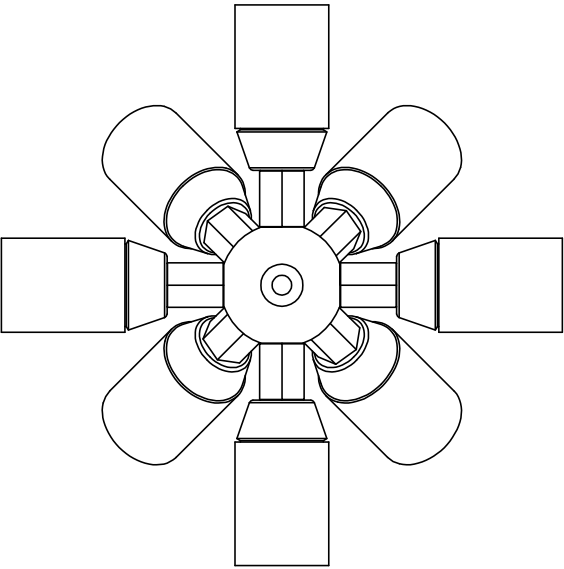
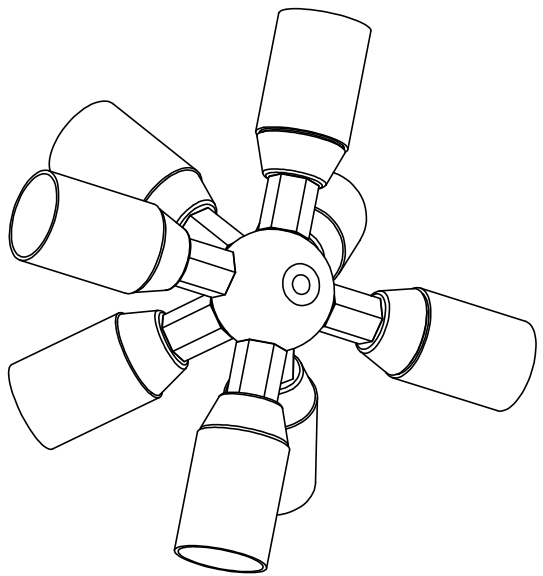


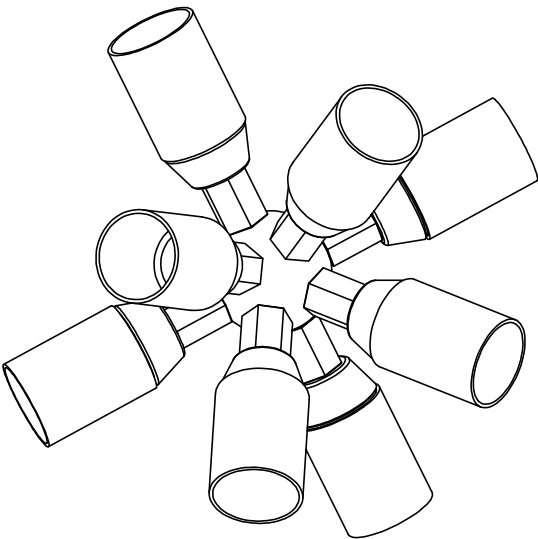
TYPICAL DETAIL



BOTTOM OF TOP LAYER



GENERAL TOP LAYER OF SPACING



GENERAL TOP LAYER OF SPACING

DATE	REVISION

SCALE

**Space Frame Camara**  
 HANG CONG COMPANY, INC. 3000 UNIVERSITY AVENUE, SUITE 100  
 HOUSTON, TEXAS 77057-3000  
 PHONE: 281.281.1000 FAX: 281.281.1001  
 WWW.HANGCONG.COM

SHOP DRAWING  
 DATE: 29 JAN 2014

PROJECT NAME: MAI CHE SAN VAN DONG  
 DRAWING TITLE: SPACE FRAME STRUCTURE  
 SCALE: 1/4"

ISSUED BY: KC 08  
 1/29/14